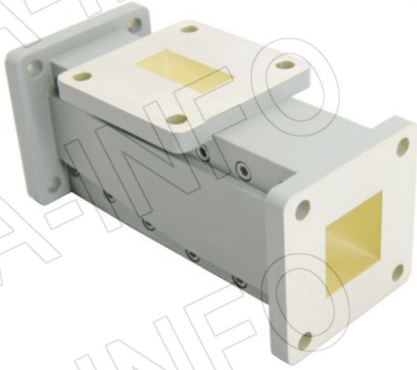


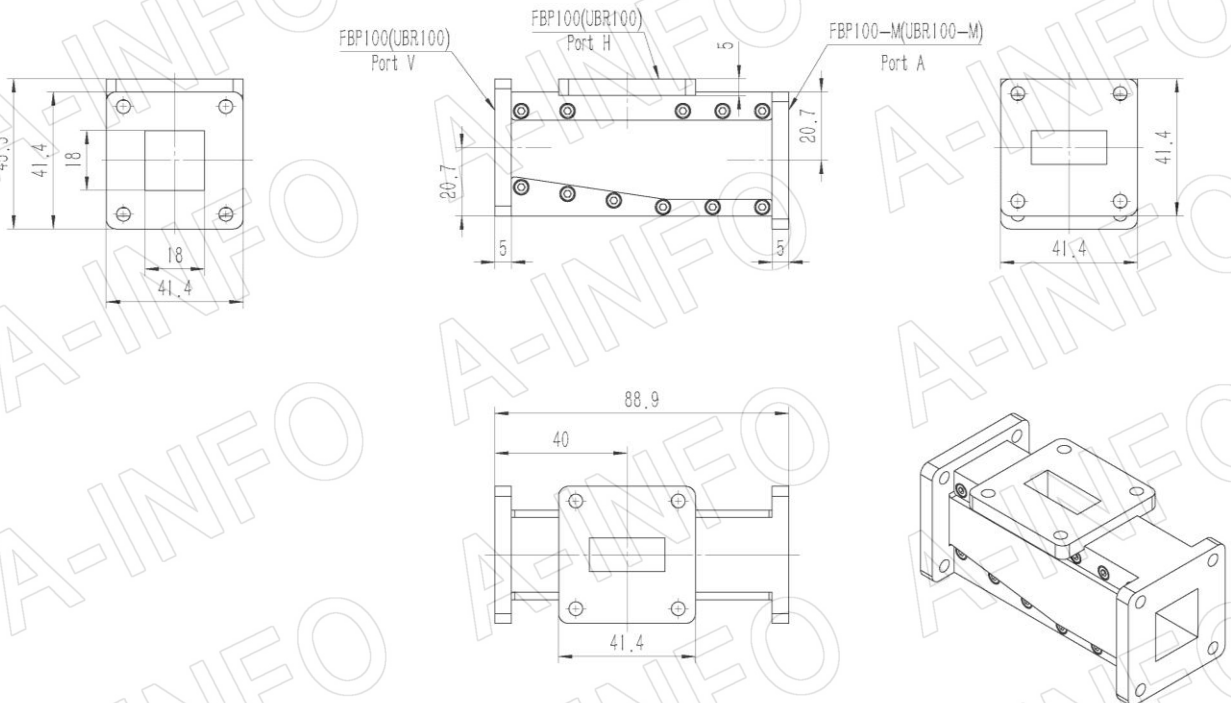
For reference only. See data sheet for the detailed specifications.

## Technical Specification



|                            |                    |
|----------------------------|--------------------|
| EIA WR                     | WR90               |
| Frequency Range(GHz)       | 8.9 - 11.7         |
| Bandwidth                  | Full               |
| Common Port                | 18mm Square WG     |
| Insertion Loss(dB)         | 0.40 Max.          |
| VSWR                       | 1.30:1 Typ.        |
| Cross Pol. Isolation(dB)   | 45 Typ.; 40 Min.   |
| Port to Port Isolation(dB) | 45 Min.            |
| Common Port Flange         | FBP100-M(UBR100-M) |
| Flange                     | FBP100(UBR100)     |
| Material                   | Al                 |
| Size(mm)                   | 88.9 x 41.4 x 45.3 |
| Net Weight (Kg)            | 0.2 Around         |

## Outline Drawing (Size: mm)



**AINFO Inc.**

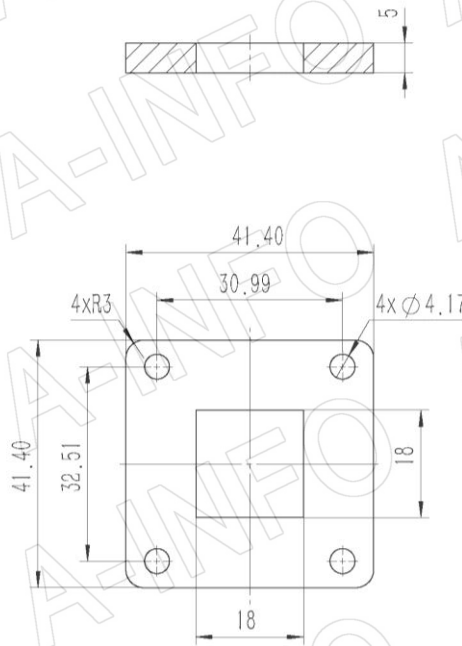
China(Beijing): Tel: (+86) 10-6266-7326,  
 China(Chengdu): Tel: (+86) 28-8519-2786,  
 USA: Tel: (+1) 949-639-9688,

Page 1 of 5

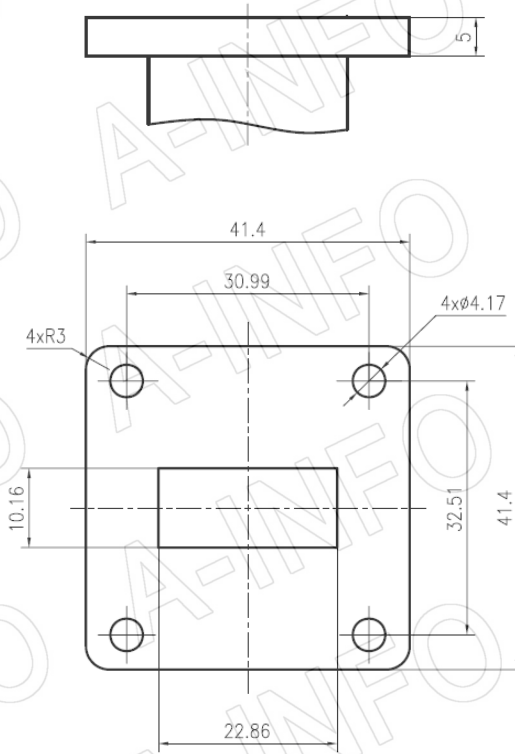
(+86) 10-6266-7327 Fax: (+86) 10-6266-7379  
 (+86) 28-8519-3044 Fax: (+86) 28-8519-3068  
 (+1) 949-639-9608 Fax: (+1) 949-639-9670

Website: [www.ainfoinc.com](http://www.ainfoinc.com)  
 Email: [sales@ainfoinc.com](mailto:sales@ainfoinc.com)

## Flange Drawing (Size: mm)



FBP100-M



FBP100

**AINFO Inc.**

China(Beijing): Tel: (+86) 10-6266-7326,  
China(Chengdu): Tel: (+86) 28-8519-2786,  
USA: Tel: (+1) 949-639-9688,

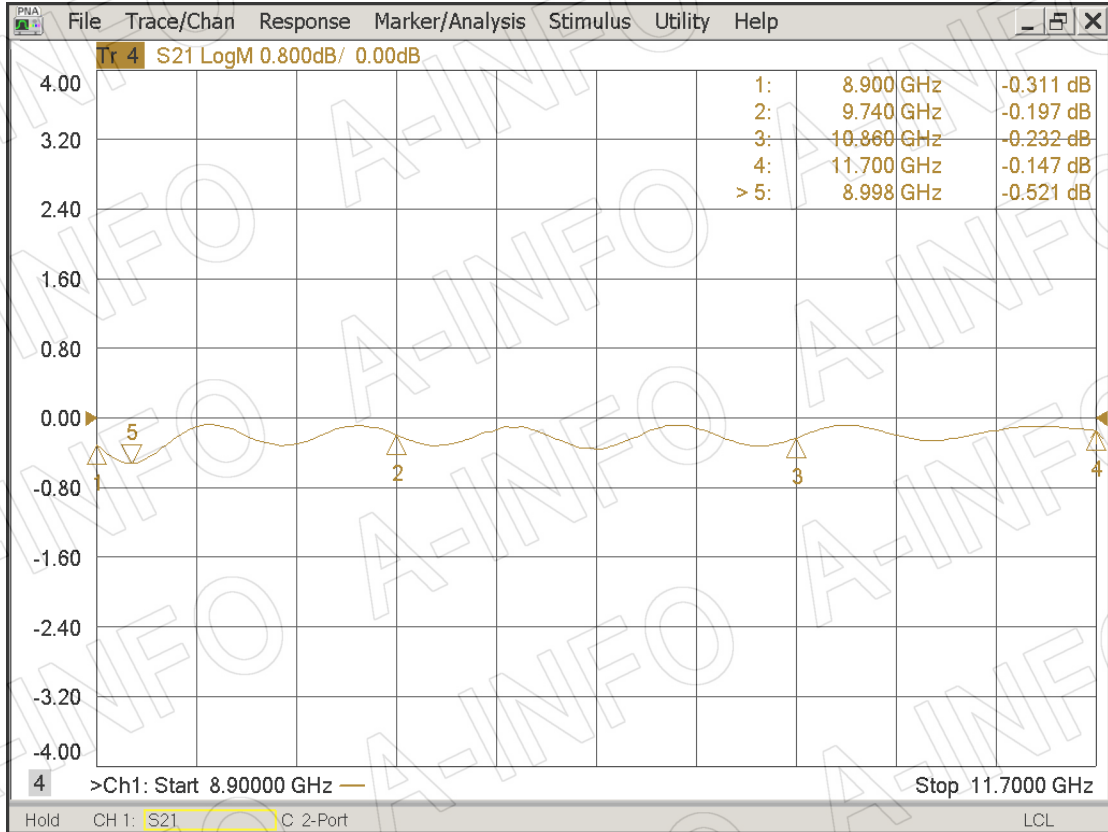
Page 2 of 5

(+86) 10-6266-7327 Fax: (+86) 10-6266-7379  
(+86) 28-8519-3044 Fax: (+86) 28-8519-3068  
(+1) 949-639-9608 Fax: (+1) 949-639-9670

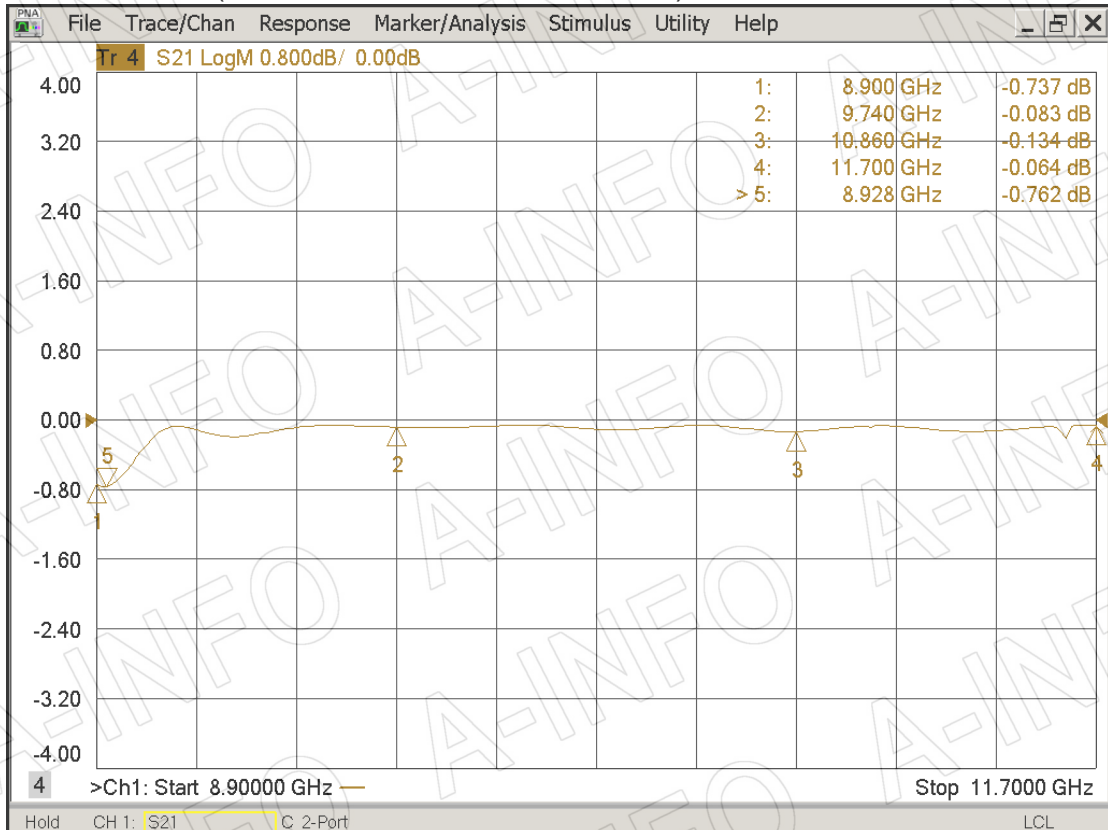
Website: [www.ainfoinc.com](http://www.ainfoinc.com)  
Email: [sales@ainfoinc.com](mailto:sales@ainfoinc.com)

## Test Results

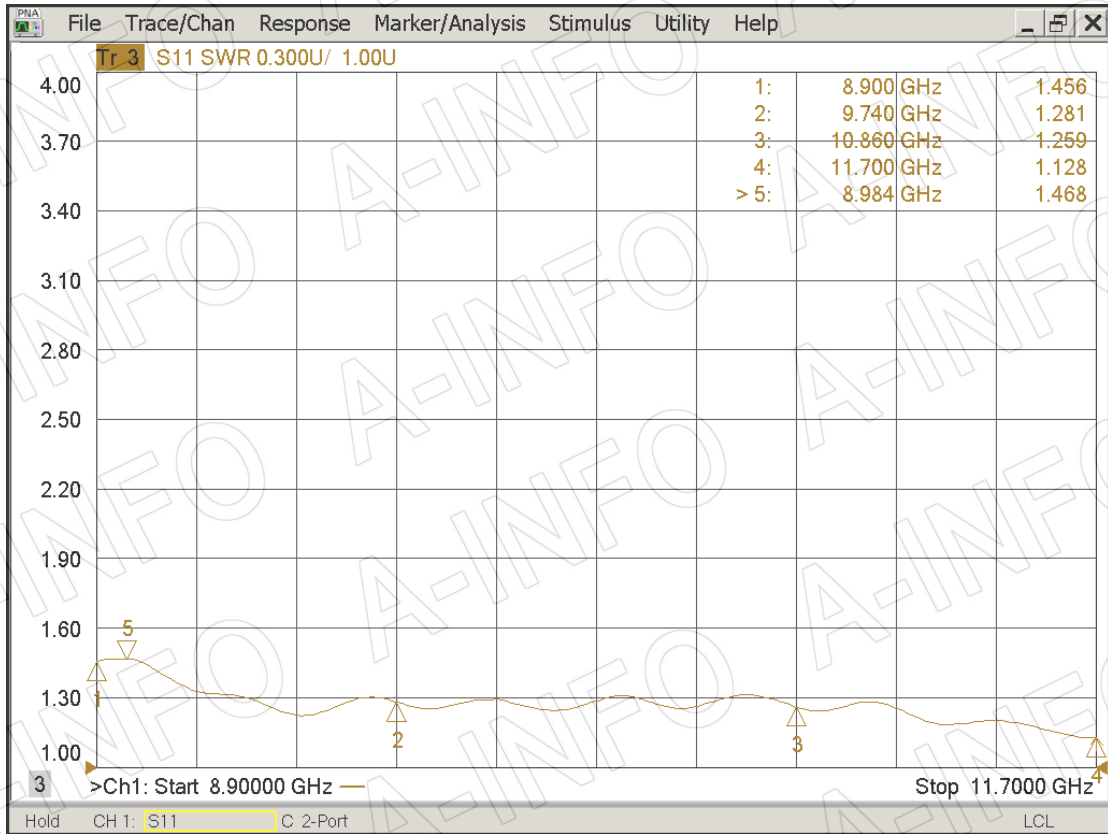
Port H\_ Insertion Loss(Test with two OMT back to back)



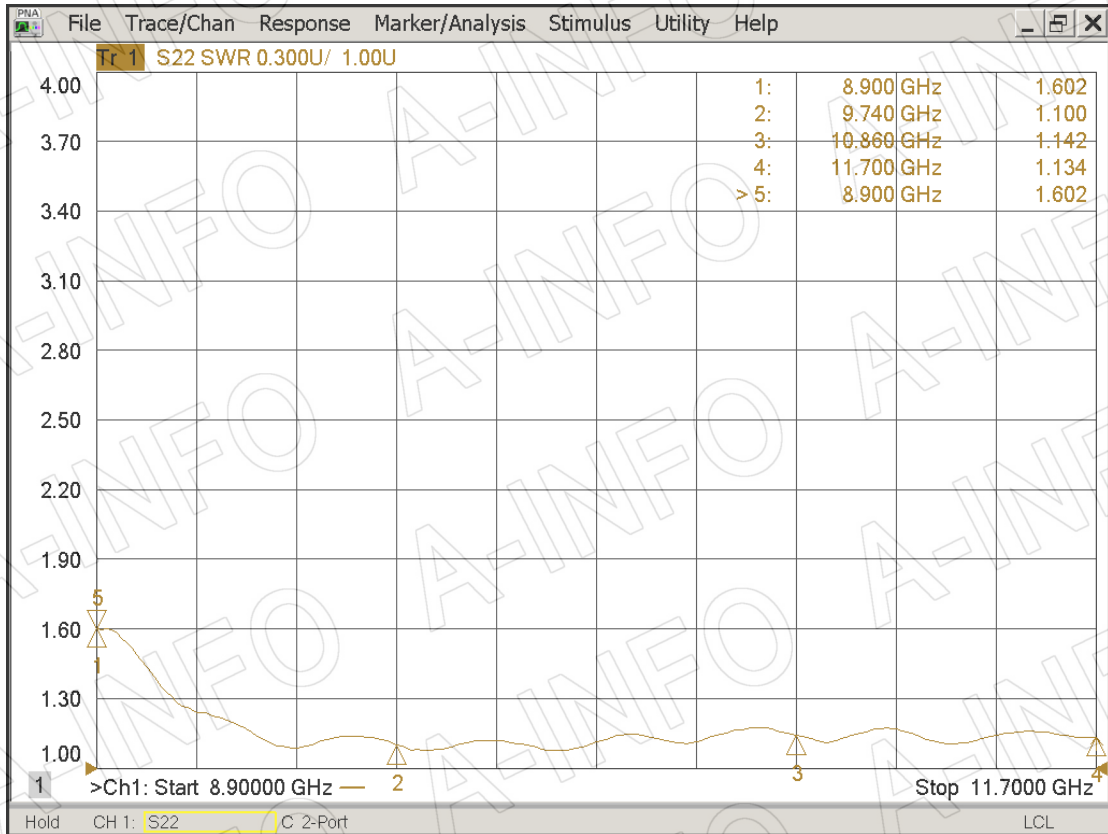
Port V\_ Insertion Loss(Test with two OMT back to back)



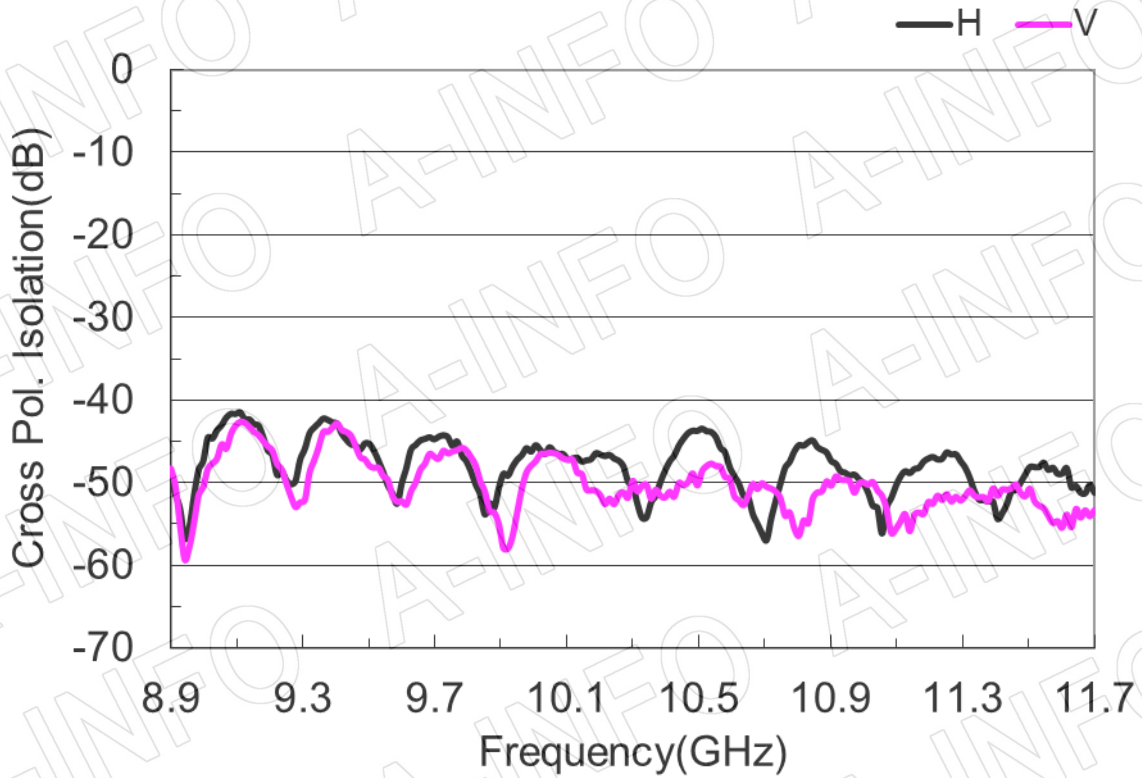
## Port H\_VSWR



## Port V\_VSWR



## Cross Polarization Isolation



## Port to Port Isolation

